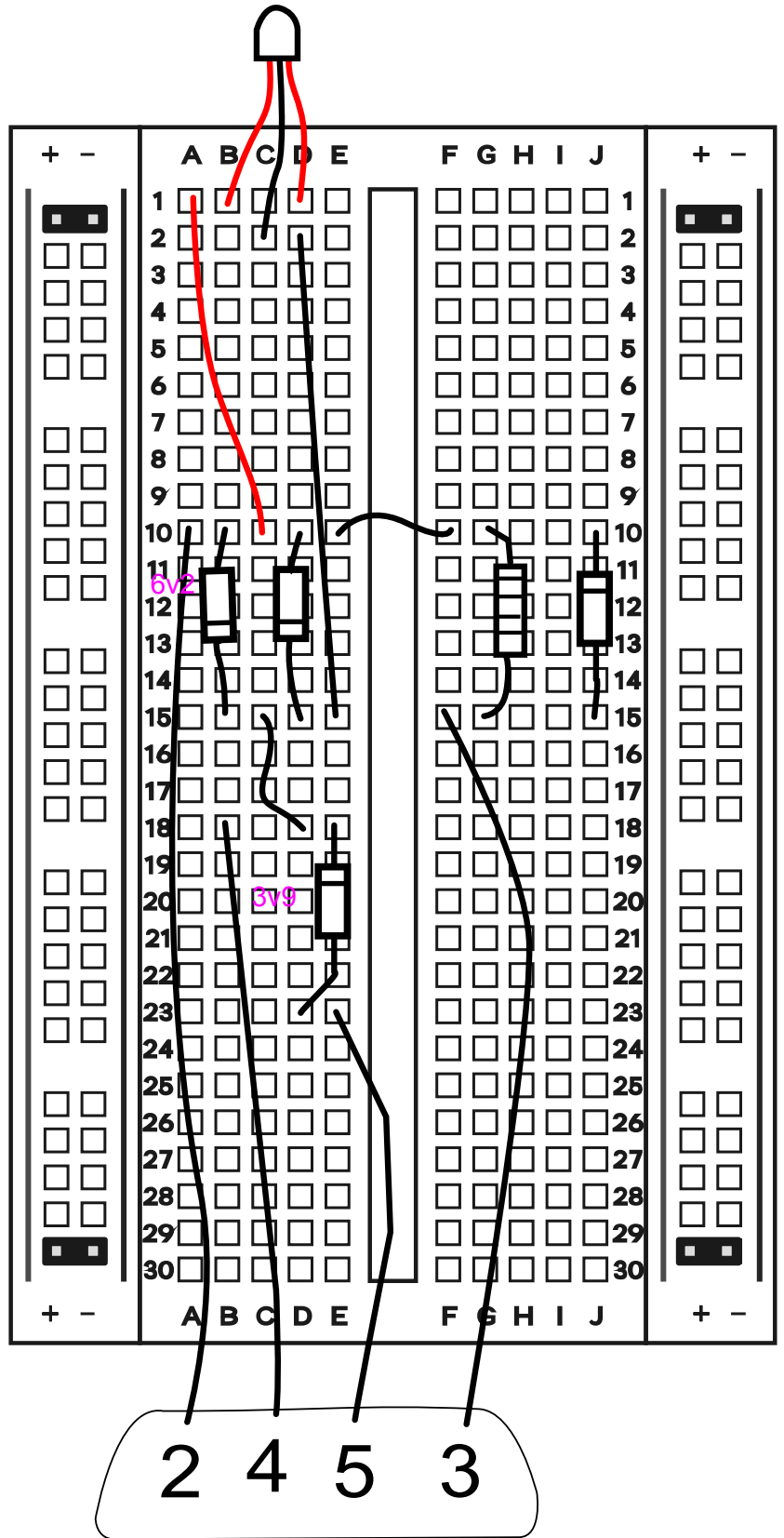
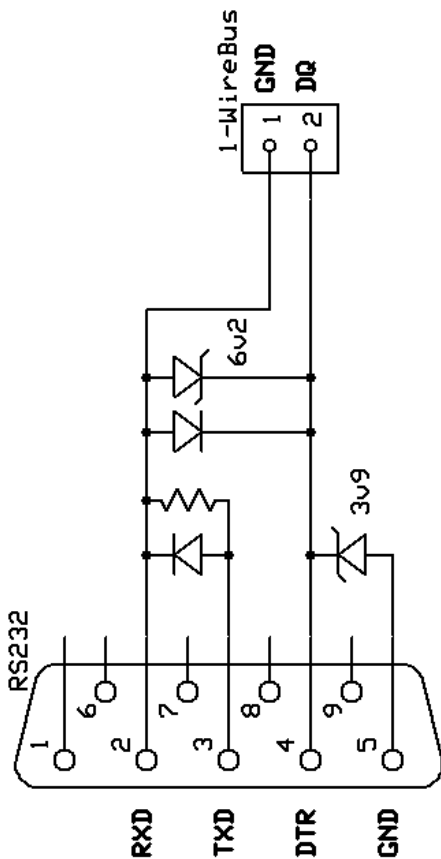


1-WireBus hitamæliir (DS1820)

Rauður = GND
 DQ = Data



Efni:

- 1 6.2V Zener diode (1N5234)
- 1 3.9V Zener diode (1N5228)
- 2 Schottky diodes (1N5818)
- 1 1.5 k resistor
- D-sub 9 female connector
- One or more Dallas Semiconductor DS1820 or DS18s20 digital temperature sensor